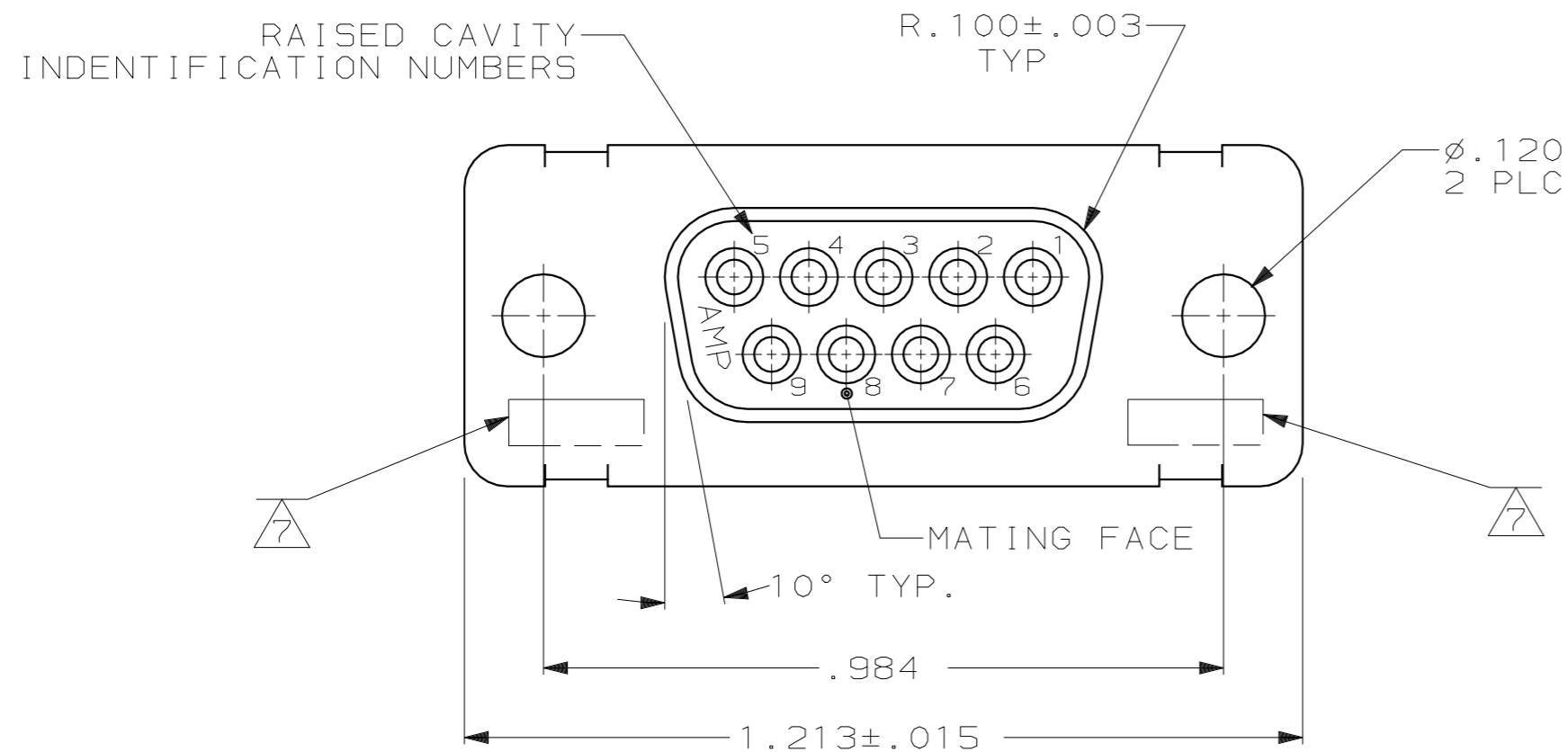
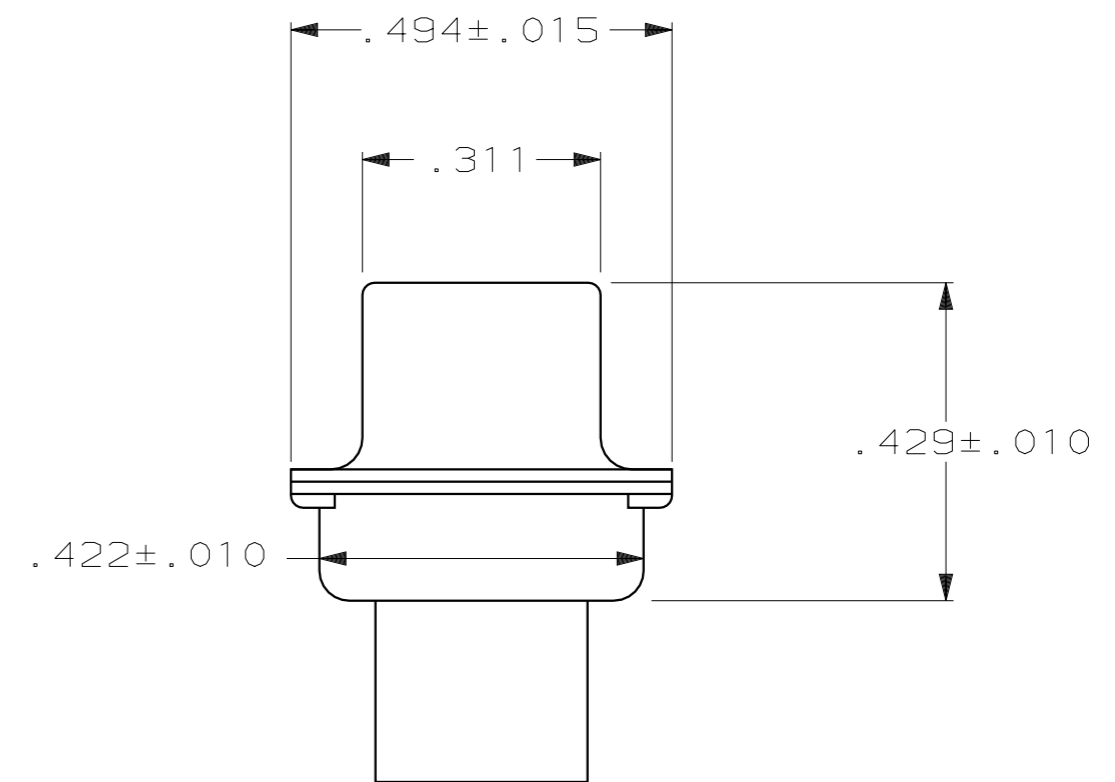
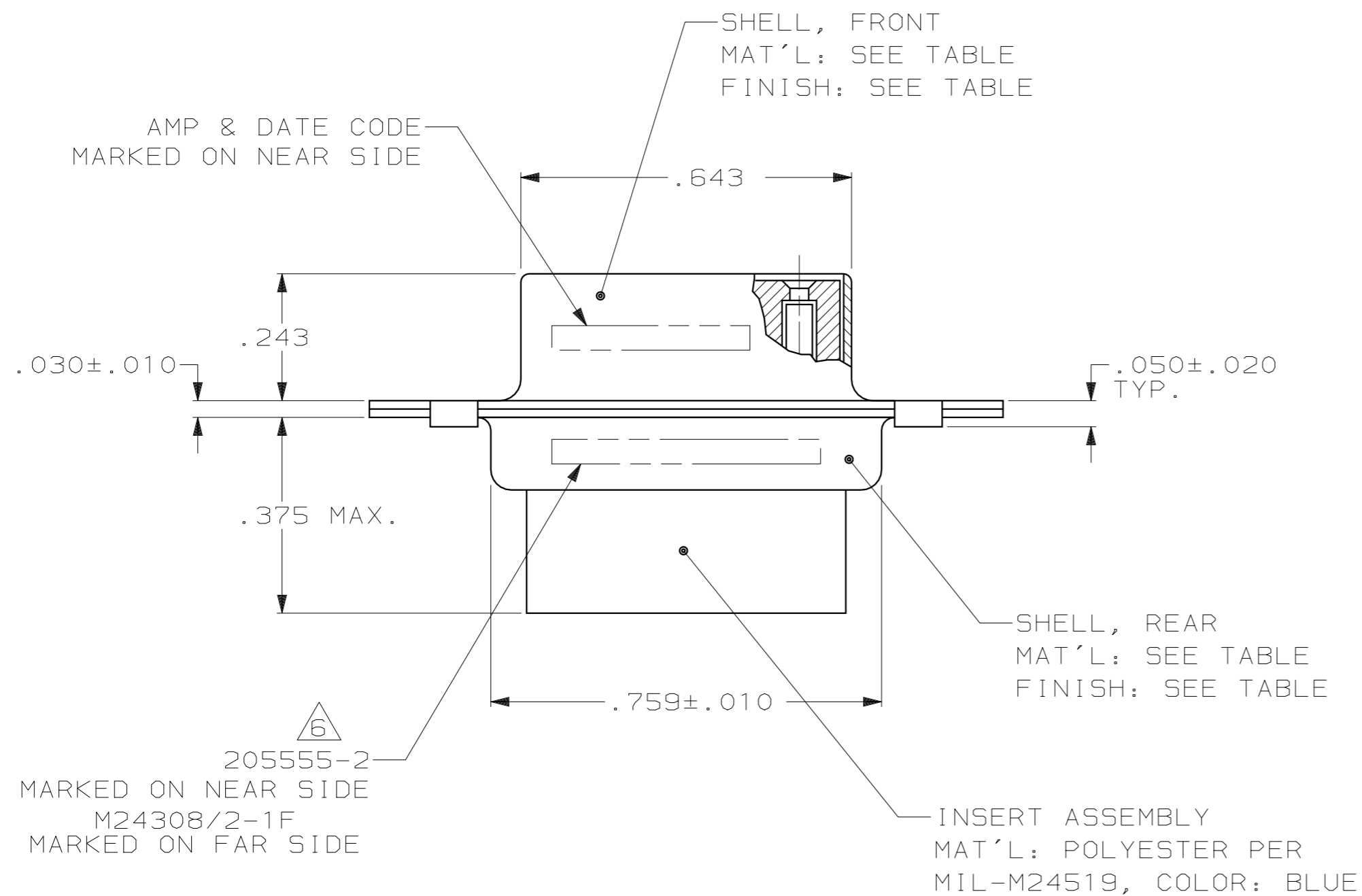


THIS DRAWING IS UNPUBLISHED. RELEASED FOR PUBLICATION  
 BY AMP INCORPORATED. ALL RIGHTS RESERVED.

LOC		DIST		REVISIONS			
P	LTR	DESCRIPTION	DATE	DWN	APVD		
DF	DO	P	LTR				
		P		REV PER 0H14-0154-05	2-21-05	CT	DM



1. THIS RCPT. IS DESIGNED TO CONFORM TO THE LATEST ISSUE OF MIL-C-24308
  2. MAX WIRE INSUL TO BE USED WITH THIS RCPT IS .068 DIA
  3. STAINLESS STEEL RETENTION CLIPS ARE INCLUDED IN INSERTS
  4. PACKAGE STAMPED M24308/2-281F
  5. THIS RCPT. WILL ACCEPT SIZE 20 SOCKET CONTACT M39029/63-368 OR ANY AMP HD-20 SOCKET CONTACT
- 6 AMP PART NO. STAMPED ON CONNECTOR REPRESENTS KIT NUMBER WITH CONTACTS  
 7 UL/CSA DESIGNATION STAMPED IN THIS AREA.  
 8 RESTRICTED ITAR DRAWING.  
 9 FINISH: PLATED BRIGHT TIN .000400 MIN THK PER ASTM-B-545 OVER COPPER PLATE .000050 MIN THK PER MIL-C-14550.



	9	STEEL, CLASS G	205161-5
	8	-	205161-4
SUPSC BY 205161-1		CADMIUM PER QQ-P-416	STEEL, CLASS G
SUPSD BY 207253-2		CADMIUM PER QQ-P-416	BRASS
		CADMIUM PER QQ-P-416	STEEL, CLASS G
			205161-1
		SHELL FINISH	SHELL MATERIAL
			PART NUMBER

DIMENSIONS:		TOLERANCES UNLESS OTHERWISE SPECIFIED:		DWN		APVD		TYCO Electronics		AMP	
INCHES		0 PLC	±	C.C. THOMAS		1-12-05		TYCO Electronics		AMP	
		1 PLC	±	CHK		1-12-05		Harrisburg, PA 17105-3608			
		2 PLC	±	D. MILLER		1-12-05		NAME		RCPT ASSY, AMPLIMITE,	
		3 PLC	±.005	APVD		1-12-05		D. MILLER		SIZE	
		4 PLC	±	D. MILLER		1-12-05		D. MILLER		CAGE CODE	
		ANGLES	±0°30'	D. MILLER		1-12-05		D. MILLER		DRAWING NO	
		FINISH		D. MILLER		1-12-05		D. MILLER		RESTRICTED TO	
MATERIAL		SEE CALLOUTS		D. MILLER		1-12-05		D. MILLER		SCALE	
SEE CALLOUTS		SEE CALLOUTS		D. MILLER		1-12-05		D. MILLER		SHEET	
				D. MILLER		1-12-05		D. MILLER		OF	
				D. MILLER		1-12-05		D. MILLER		REV	
				D. MILLER		1-12-05		D. MILLER		P	